

SEA LED
UNDERWATER LIGHT



COMPANY OF
CANTALUPI GROUP

**WE CREATE
UNDERWATER LIGHTING
SCENARIOS
FOR SUPERYACHTS**







INDEX

LIGHT IMPRESSION	12
TESTED AT -25°C	15
LIGHT BEAM CONCEPT	16
MULTICOLOR EFFECT	24
LIGHTING STUDIO	27
SAFETY FIRST	28
EASY TO INSTALL	31
CANTALUPI GROUP LABORATORIES	32
ELECTRONIC CONTROL SYSTEM	35
TEST PROCEDURE	36
CERTIFICATIONS	39

DATA SHEET

WELD IN VERSION	41
THRU-HULL VERSION	51
DRIVER AND CONTROL SYSTEM	66

**AS YACHT ENTHUSIASTS
OURSELVES, WE KNOW
EXACTLY WHAT YOU
EXPECT, AND WE MAKE IT
OUR MISSION.**





A close-up, high-angle photograph of a dark, curved mechanical component, likely a speaker or a part of a watch. The component has a smooth, matte finish and is set against a light, neutral background. Two small, cylindrical screws are visible on the right side of the component. The lighting creates soft shadows, highlighting the curvature and texture of the material.

SEALED
EVOLUTION SERIES







The new line of underwater lights by Cantalupi was designed to achieve first-class lighting performance as well as greater flexibility in terms of lighting settings available, and to make installation and maintenance easier, thus extending the life of the product.

LIGHTS IMPRESSION

The latest results of the R&D department of the Cantalupi Group have led to the selection of state-of-the-art power LEDs. These LED lights are called COB (chip on board) and are produced by the most reliable manufacturing companies in the world in terms of quality.

The COB power LED, unlike the multi LED, guarantees that the placement of the LEDs on the chip, the power supply and the final test are done safely through procedures that are mechanized, monitored and certified.

The real light performance - which is the actual light that is emitted by the lamp beyond the lens and the glass and is expressed in fixture lumens or real lumens - is 16,000 (fixture lumens) and it's certified at our labs.



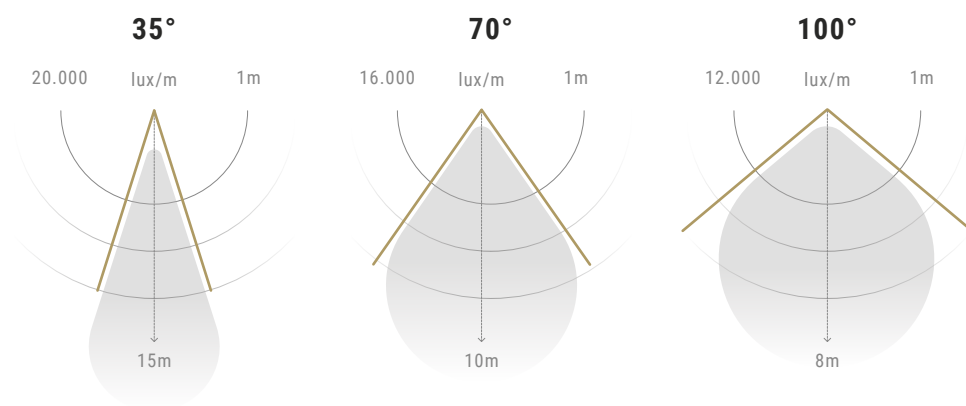




TESTED AT -25°C

Our underwater lights Sea Led Evo are tested in laboratory, in accordance to Lloyd's register, and verified to work at minimum operating temperature [°C]: -25°C.

LIGHT BEAM CONCEPT



In line with the latest design approaches to LED lighting, the light beam emitted by the lamp is created through specific optical lenses made of silicone material that are designed by Cantalupi Light Engineering's technical department and customized for our production. The silicone material is indeed resistant to the high temperature produced by the photon beam when exiting the lamp and it can also create 3 alternative light beams.

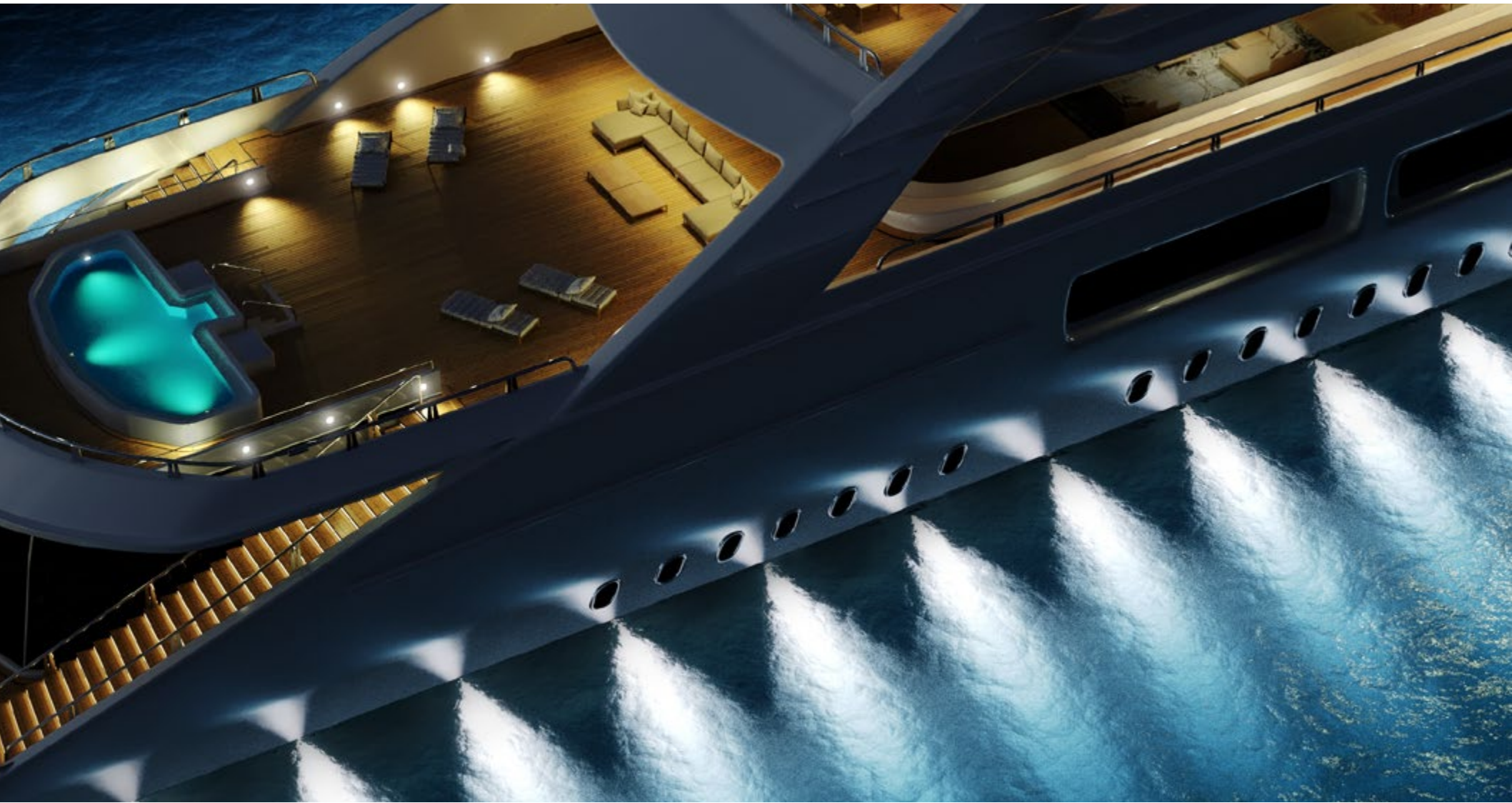
35° for a flame effect.

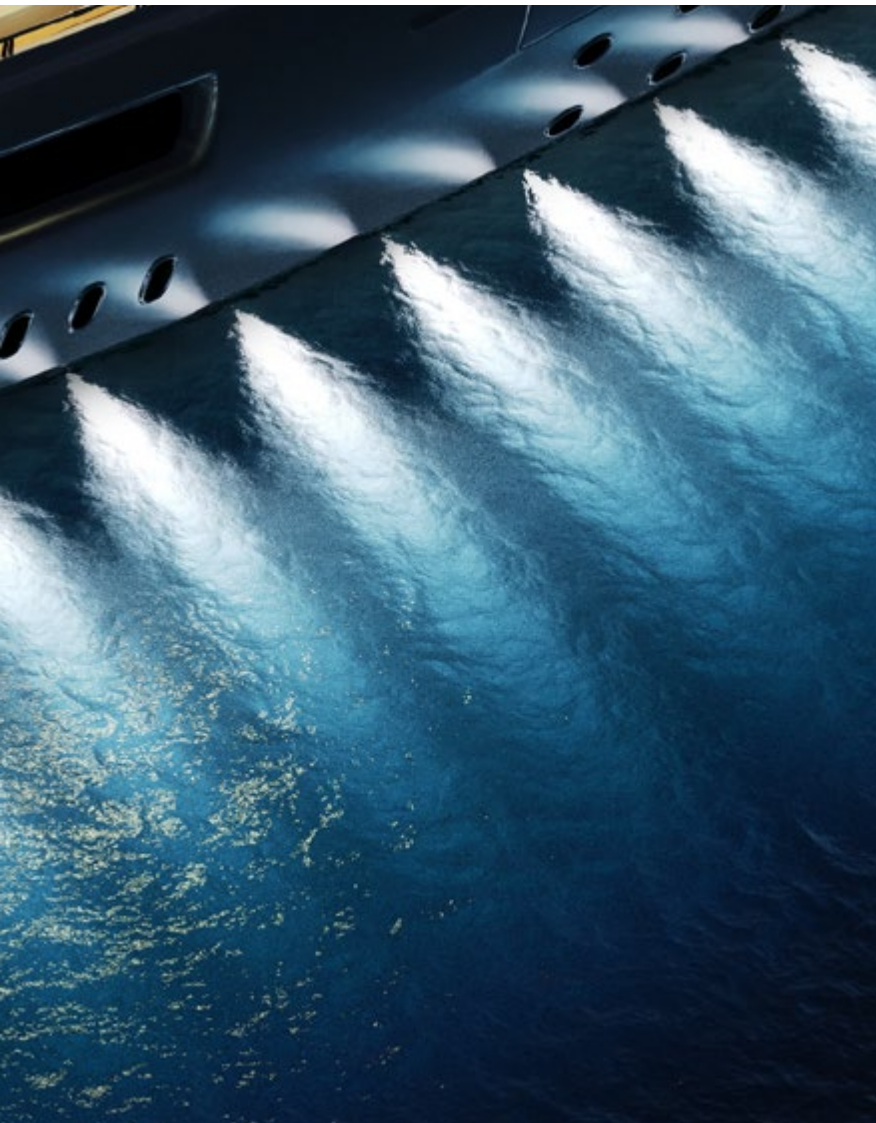
70° for a light effect that has a balanced length/opening angle ratio.

100° in line with the latest trends of underwater lighting to create a "frame of light" around the hull.

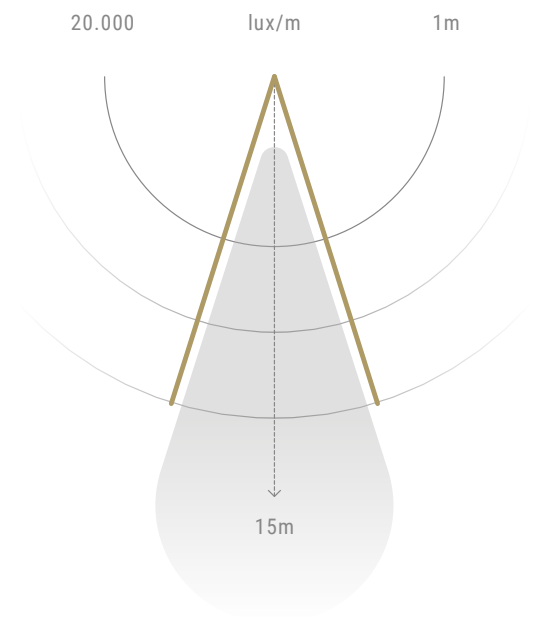
By creating the light cone through the lenses instead of the flange, the cone is perfectly round instead of elliptical. This improves the light effect underwater.







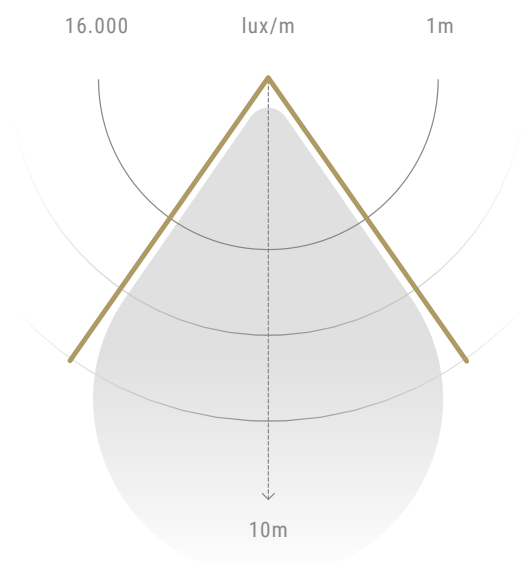
35°



A narrow, concentrated light cone that creates a “flame” effect resulting in an alternation of light and dark underwater.

LIGHT BEAM CONCEPT

70°



The beam that is typically used to create the perfect balance between the light output and the opening angle of the cone, for an effect that is strong and uniform at the same time.

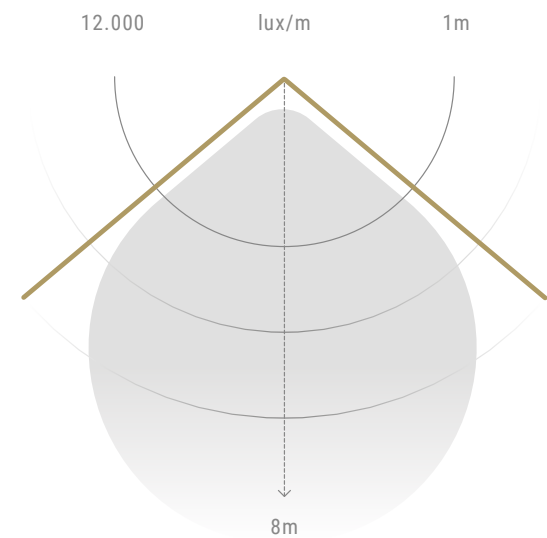








100°



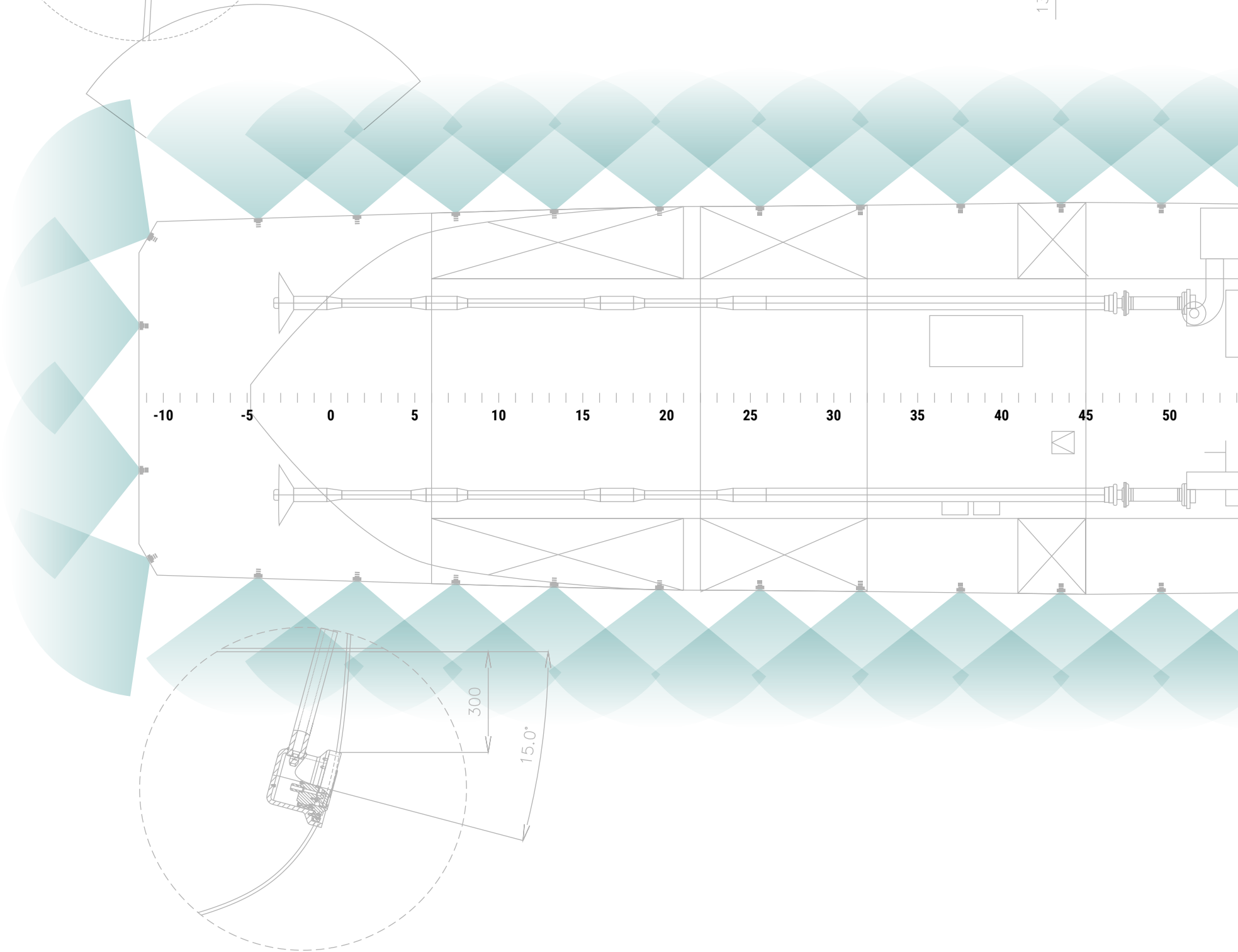
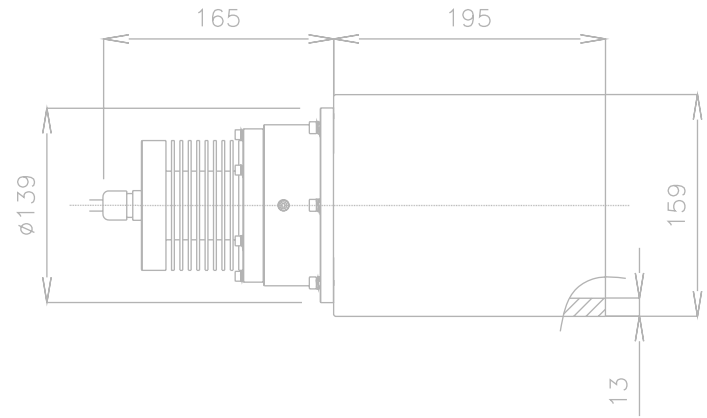
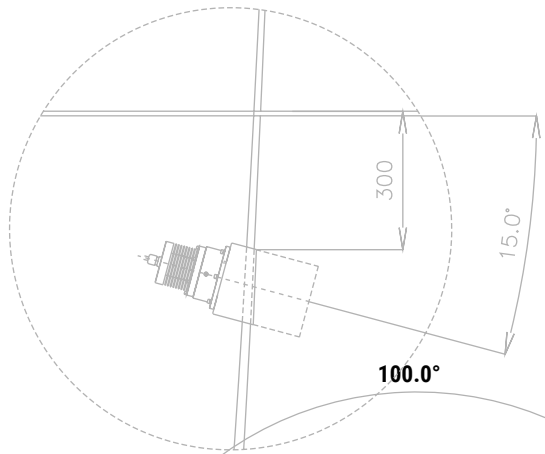
A wide light beam to get rid of the dark areas between the lamps as much as possible and create a frame of light around the hull.

MULTICOLOR EFFECTS



Not only white. A world of colors to create different light effects underwater.





LIGHTING STUDIO

Our technical department designs 2D and 3D simulations upon customer request in order to determine at a preliminary stage the number of lights depending on the preferred beam or the desired effect, while avoiding tanks and bulkheads as much as possible.

Once this is done, the next step is executive design, which determines from a technical standpoint how to install every single light on the hull, as well as their position and inclination.

SAFETY FIRST

1st BARRIER

EXTERNAL FLANGE - TEMPERED GLASS

The first and most important protection from seepage. The external flange, the tempered glass and the dissipation flange are bolted to the hull as a single piece, and they ensure a perfect watertight protection.

2nd BARRIER

GLUED INTERNAL FLANGE
ALUMINUM FASTENING OF THE GLASS
SILICONE LENSES

The combination and fastening of these components provide a second level of protection.

3rd BARRIER

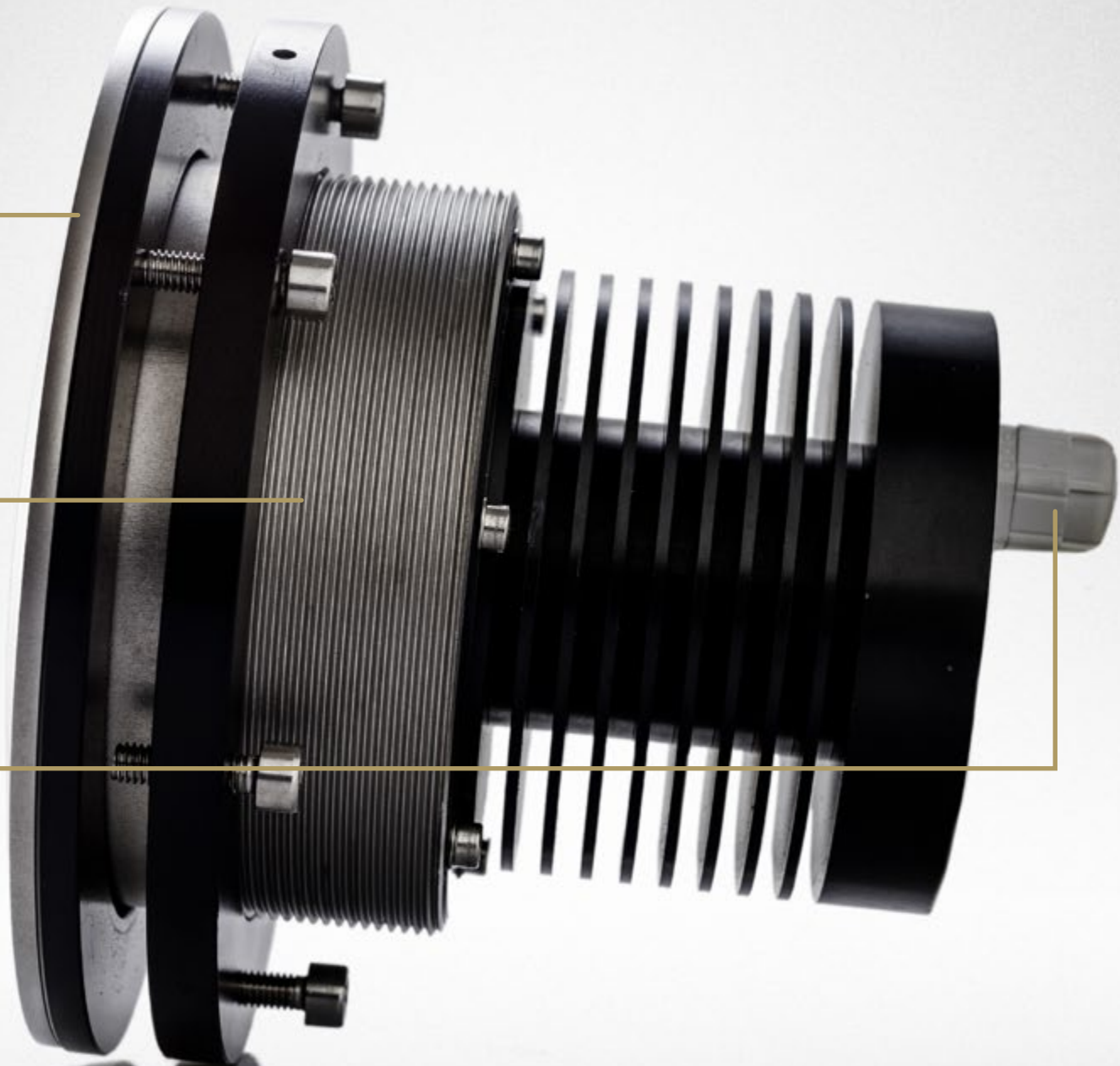
LIGHTING CORE

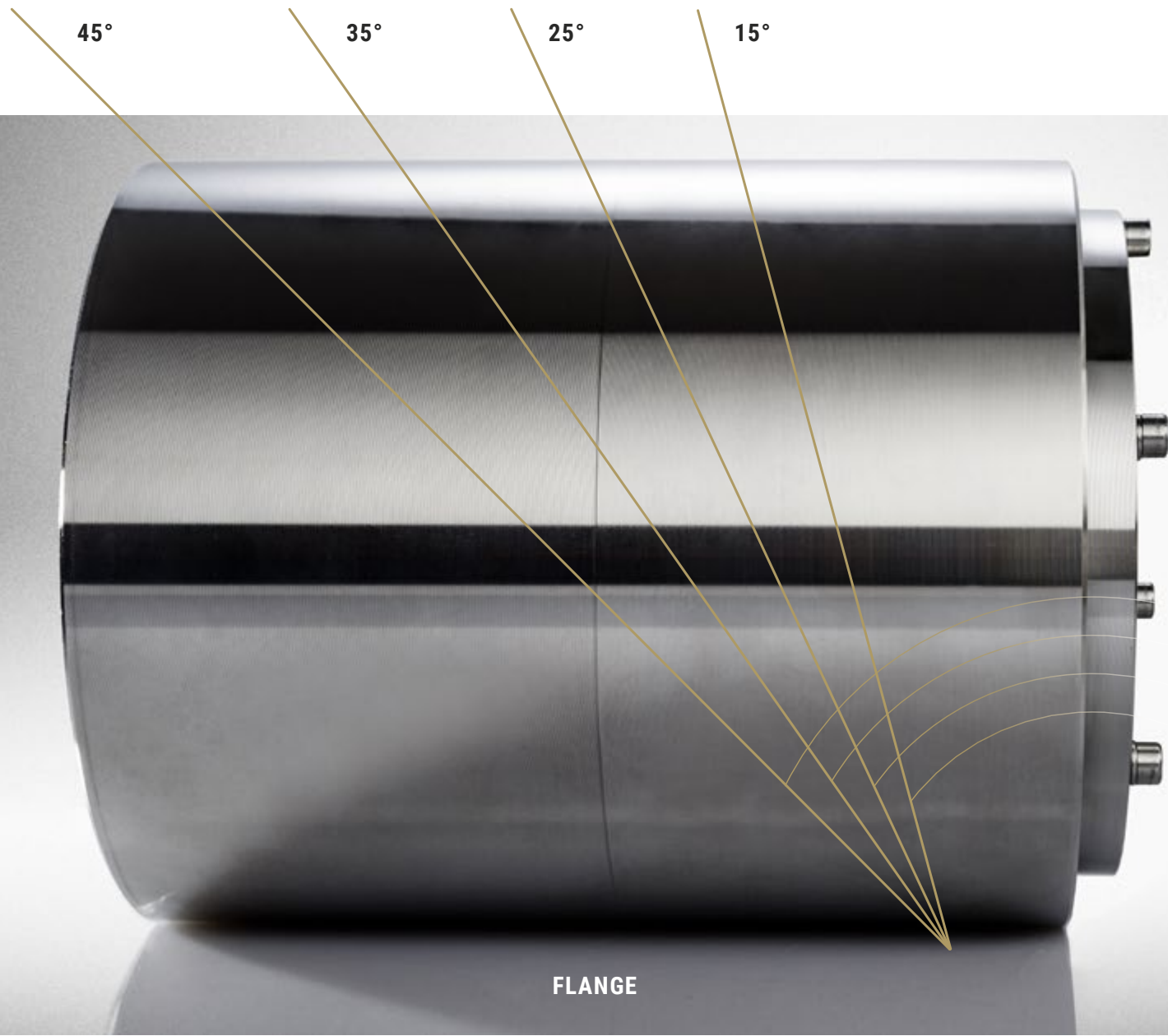
The lighting core – which is sealed, resinated where the internal cables pass through and equipped with a cable gland that is resistant to high pressure - provides the third level of protection.

4th OVERHEAT PROTECTION



The light is protected by the electronic system in case of overvoltage, overcurrent and overtemperature.





45°

35°

25°

15°

FLANGE



LIGHTING CORE

EASY TO INSTALL

The light for metal hull is supplied in 2 pieces: the cofferdam, to be welded and cut, and the light to be installed on it. The light is supplied pre-assembled and all tested before delivery.

In case of trough-hull products, the light is supplied in one piece ready for the installation.

To have more details and information, please ask for the user manual.

CANTALUPI GROUP LABORATORIES

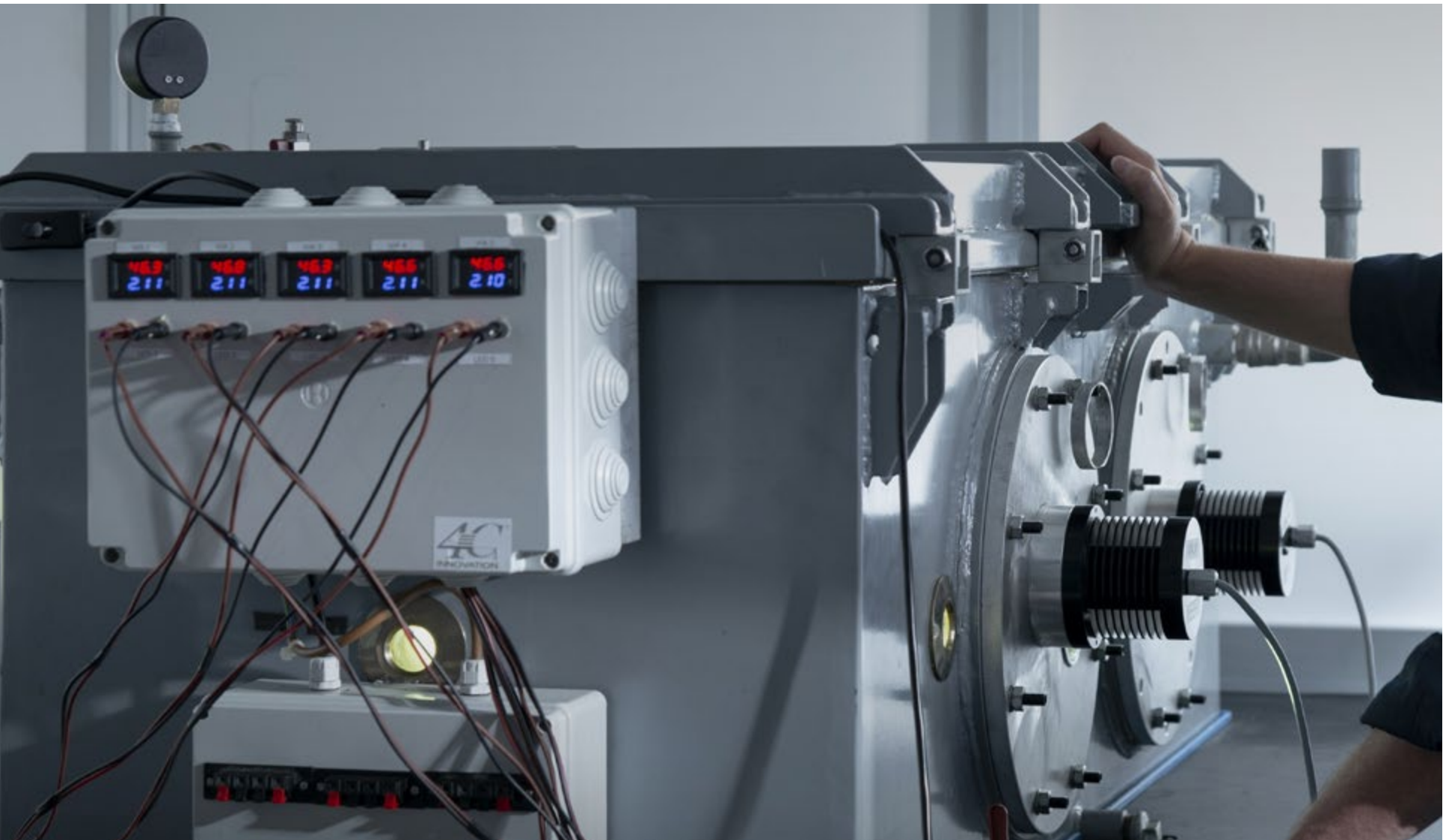
In the Cantalupi Group production divisions, there are dedicated laboratories for R&D, prototyping and production flow quality control.

- Professional Photo-goniometer, to measure: the real light lumen output (fixture lumen) and photometric shape of the light.
- IP68 Test
- IP 67 Test
- IP 56
- Temperature test up to 90 degrees and temperature scanner
- Electronic test
- 3d printer

For other testing activities we use external certified partner laboratories.

Thanks to this we can test all our products at certification and after production, to ensure safe and high quality products.





ELECTRONIC CONTROL SYSTEM POWER SUPPLY/DRIVER

By using the power LED, we can exclude the electronic components inside the lamp and move the driver/power supply outside.

This results in a temperature drop inside the lamp and therefore in the maximum performance of the LED used.

Easy installation: you just need to connect the two power cables. No special cables or connectors are needed.

The driver is an additional level of protection from potential high-voltage spikes.

TEST PROCEDURE

All of our products undergo internal quality control and test procedures before each lamp is shipped.

Our internal labs are indeed equipped with pressure tanks to test the lamps at 3 atmospheres.

Lastly, the lamps are electronically calibrated for a plug and play installation.



CERTIFICATIONS



The Sea Led Evolution collection is certified by Lloyd's Register with Type Approval.

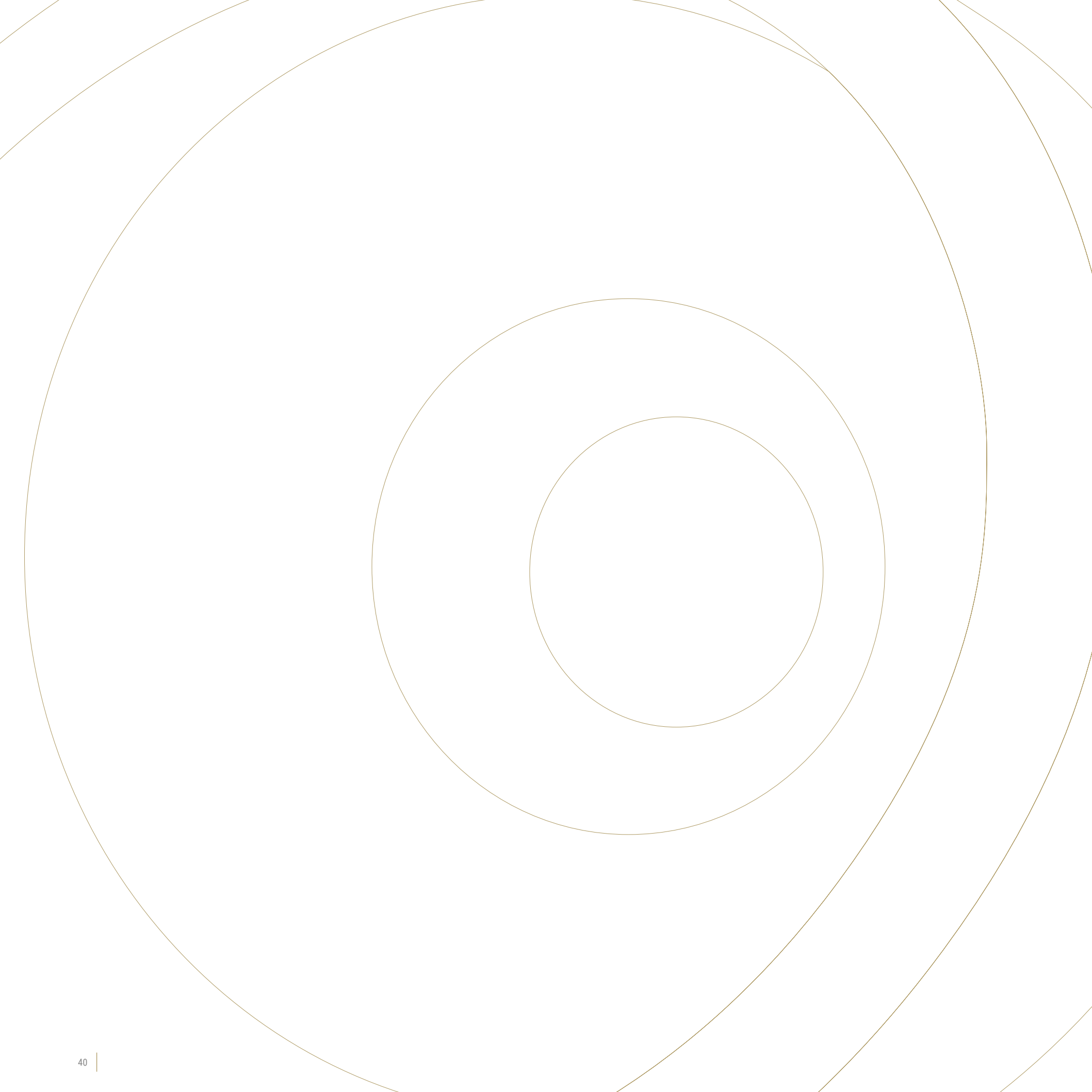


CERTIQUALITY
IS MEMBER OF
CISQ FEDERATION

Our company also has the certification ISO 9001 for production and product management.









WELD IN VERSION

DATA SHEET

EVO 160 - WLD	42
EVO 160 - WLD - RGB+W	44
EVO TANK	46
EVO TANK RGB+W	48

DATA SHEET

EVO Ø160-WLD 16.000 Lumen

STAINLESS STEEL AISI 316L
ALUMINIUM 6082



The Sea Led Evolution Series is the upgrade of the line of underwater lights by the Cantalupi Group. It's designed to achieve first-class lighting performance and to ensure the safety of the boat.

The model EVO 160-WLD is provided with one cofferdam to be welded and trimmed to adjust it to the hull, in order to prevent any mistake when choosing the right inclination/cutting angle.

It can be disassembled from the inside to replace the lighting core.

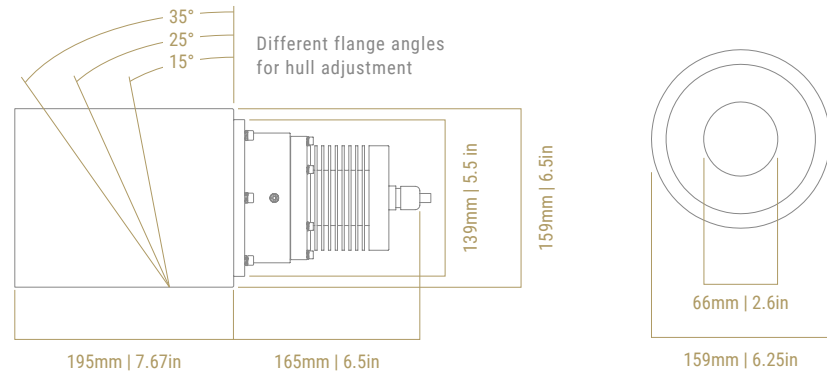
3 different light cones are available.

LIGHT TECHNICAL DATA

Power	96W
Current / Amp draw	2A @ 48Vdc
Fixture Lumens	16000 @ 70°
CCT	5700 K
Beam Angle (degrees)	wide 100° / medium 70° / narrow 35°
Power Supply	110-220VAC-48VDC
Dimming	DALI, DMX, MODBUS, (0-10)

FEATURES

Flange Material	Stainless Steel AISI316L Aluminium 6082
Width dimensions	Ø 159 mm / 6.26 in
Light dimensions	165 mm / 6.5 in
Heatsink	Aluminum 6082
Glass	Protective Tempered Clear Glass
Protection	Yes
Water Ingress Protection Rating	IP68
Light Cable Length	3mt / 9' 8" (Standard)



STAINLESS STEEL AISI 316L

FLANGE CODE

90 FLANG 160 WLD SS FRONT

LIGHTING CORE

Narrow Beam: 90 SEALE WHITE 160 WLD SS NB

Medium Beam: 90 SEALE WHITE 160 WLD SS MB

Wide Beam: 90 SEALE WHITE 160 WLD SS WB

ALUMINIUM 6082

FLANGE CODE

90 FLANG 160 WLD AL FRONT

LIGHTING CORE

Narrow Beam: 90 SEALE WHITE 160 WLD AL NB

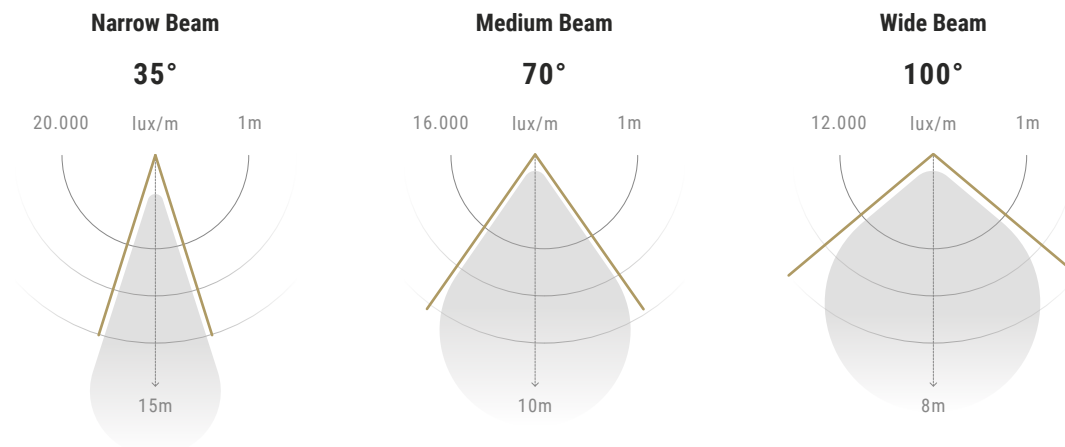
Medium Beam: 90 SEALE WHITE 160 WLD AL MB

Wide Beam: 90 SEALE WHITE 160 WLD AL WB

DRIVER

for select your driver
choose on page: 66

DIFFERENT BEAM SELECTION



DATA SHEET

EVO Ø160-WLD RGB+W

STAINLESS STEEL AISI 316L
ALUMINIUM 6082

The Sea Led Evolution Series is the upgrade of the line of underwater lights by the Cantalupi Group. It's designed to achieve first-class lighting performance and to ensure the safety of the boat.

The model EVO 160-WLD-RGB+W is provided with one cofferdam to be welded and trimmed to adjust it to the hull, in order to prevent any mistake when choosing the right inclination/cutting angle.

The light integrates an RGB + W Power Led, and it is possible to manage it both through on-board automation or audio video systems, and through our stand alone system.

It can be disassembled from the inside to replace the lighting core.

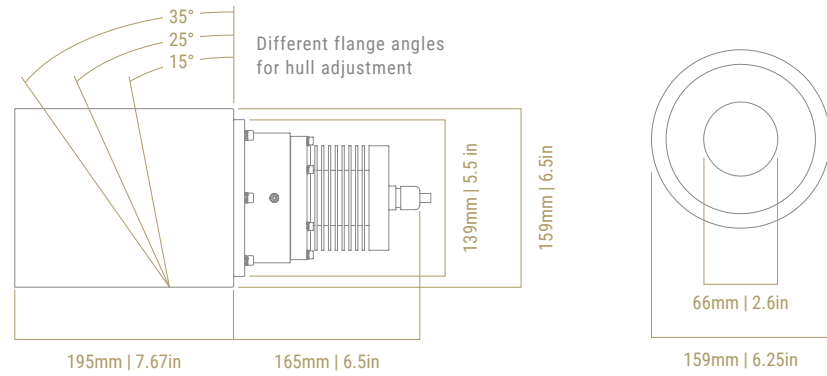


LIGHT TECHNICAL DATA

Power	141 W
Current / Amp draw	1.05A @ 26 Vfr / 36 Vfgbw
CCT	RGB+W
Beam Angle (degrees)	wide 100°
Power Supply	110-220VAC-48VDC
Dimming	DALI, DMX

FEATURES

Flange Material	Stainless Steel AISI316L Aluminium 6082
Width dimensions	Ø 159 mm / 6.26 in
Light dimensions	165 mm / 6.5 in
Heatsink	Aluminum 6082
Glass	Protective Tempered Clear Glass
Protection	Yes
Water Ingress Protection Rating	IP68
Light Cable Length	3mt / 9' 8" (Standard)



STAINLESS STEEL AISI 316L

FLANGE CODE

90 FLANG 160 WLD SS FRONT

LIGHTING CORE

Wide Beam: 90 SEALE RGBW 160WLDSS 100

ALUMINIUM 6082

FLANGE CODE

90 FLANG 160 WLD AL FRONT

LIGHTING CORE

Wide Beam: 90 SEALE RGBW 160WLDAL 100

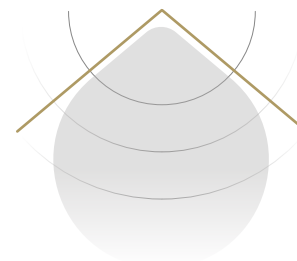
DRIVER

Interfaceable with the most common domotic systems for select your driver choose on page: 66-67

BEAM

Wide Beam

100°



STAND ALONE RGB SYSTEM

for select your system
choose on page: 67

DATA SHEET

EVO TANK 16.000 lumen

STAINLESS STEEL AISI 316L
ALUMINIUM 6082



Evo Tank is a special model of underwater light for installations in tanks and bulbs.

It indeed has the same lighting characteristics of the other lights of our collection without interrupting the sequence on the sides of the boat where the tanks are.

The Sea Led Evolution Series is the upgrade of the line of underwater lights by the Cantalupi Group.

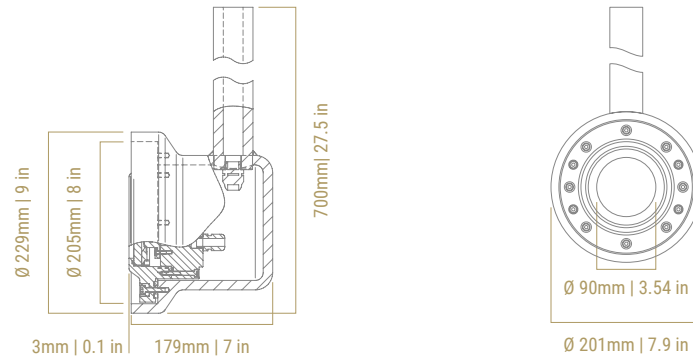
It's designed to achieve first-class lighting performance and to ensure the safety of the boat.

LIGHT TECHNICAL DATA

Power	96W
Current / Amp draw	2A @ 48Vdc
Fixture Lumens	16000 @ 70°
CCT	5700 K
Beam Angle (degrees)	wide 100° / medium 70° / narrow 35°
Power Supply	110-220VAC-48VDC
Dimming	DALI, DMX, MODBUS, (0-10)

FEATURES

Flange Material	Stainless Steel AISI 316L Aluminium 6082
Width dimensions	Ø 229 mm / 9 in
Light dimensions	179 mm / 7 in
Heatsink	Aluminum 6082
Glass	Protective Tempered Clear Glass
Protection	Yes
Water Ingress Protection Rating	IP68
Light Cable Length	3mt / 9' 8" (Standard)



STAINLESS STEEL AISI 316L

Narrow Beam: 90 SEALE WHTETANK SS NB
Medium Beam: 90 SEALE WHTETANK SS MB
Wide Beam: 90 SEALE WHTETANK SS WB

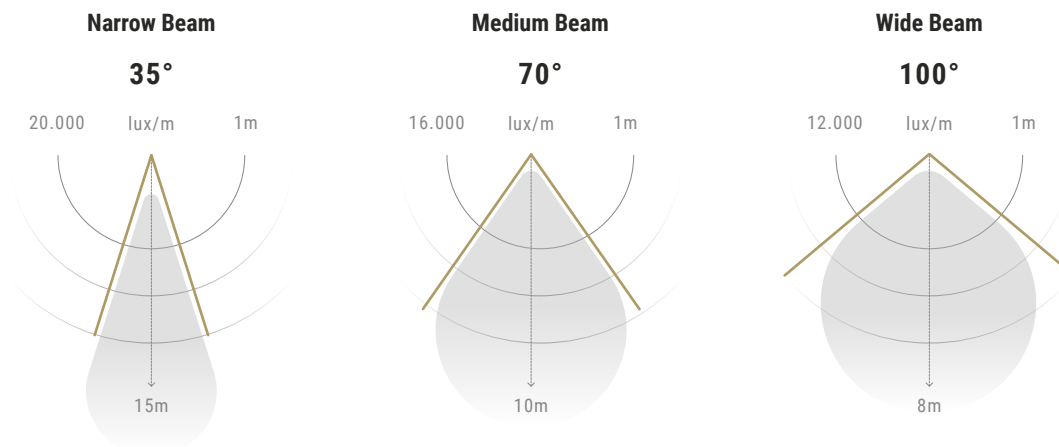
ALUMINIUM 6082

Narrow Beam: 90 SEALE WHTETANK AL NB
Medium Beam: 90 SEALE WHTETANK AL MB
Wide Beam: 90 SEALE WHTETANK AL WB

DRIVER

for select your driver
 choose on page: 66

DIFFERENT BEAM SELECTION



DATA SHEET

EVO TANK

RGB+W

STAINLESS STEEL AISI 316L
ALUMINIUM 6082



Evo Tank is a special model of underwater light for installations in tanks and bulbs.

It indeed has the same lighting characteristics of the other lights of our collection without interrupting the sequence on the sides of the boat where the tanks are.

The Sea Led Evolution Series is the upgrade of the line of underwater lights by the Cantalupi Group.

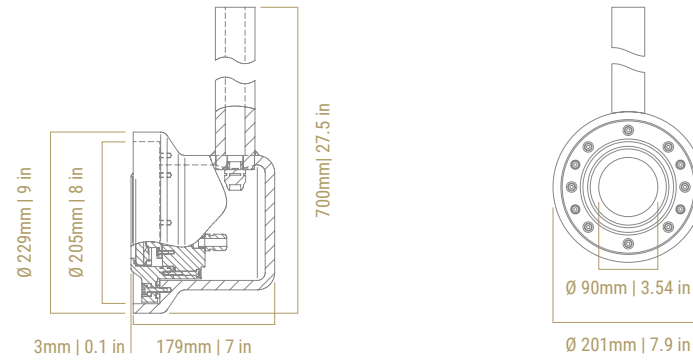
It's designed to achieve first-class lighting performance and to ensure the safety of the boat.

LIGHT TECHNICAL DATA

Power	141 W
Current / Amp draw	1.05A @ 26 Vfr / 36 Vfgrw
CCT	RGB+W
Beam Angle (degrees)	wide 100°
Power Supply	110-220VAC-48VDC
Dimming	DALI, DMX

FEATURES

Flange Material	Stainless Steel AISI 316L Aluminium 6082
Width dimensions	Ø 229 mm / 9 in
Light dimensions	179 mm / 7 in
Heatsink	Aluminum 6082
Glass	Protective Tempered Clear Glass
Protection	Yes
Water Ingress Protection Rating	IP68
Light Cable Length	3mt / 9' 8" (Standard)



STAINLESS STEEL AISI 316L

Wide Beam: 90 SEALE RGBW TANK SS 100

ALUMINIUM 6082

Wide Beam: 90 SEALE RGBW TANK AL 100

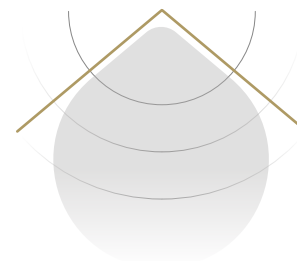
DRIVER

Interfaceable with the most common domotic systems for select your driver choose on page: 66-67

BEAM

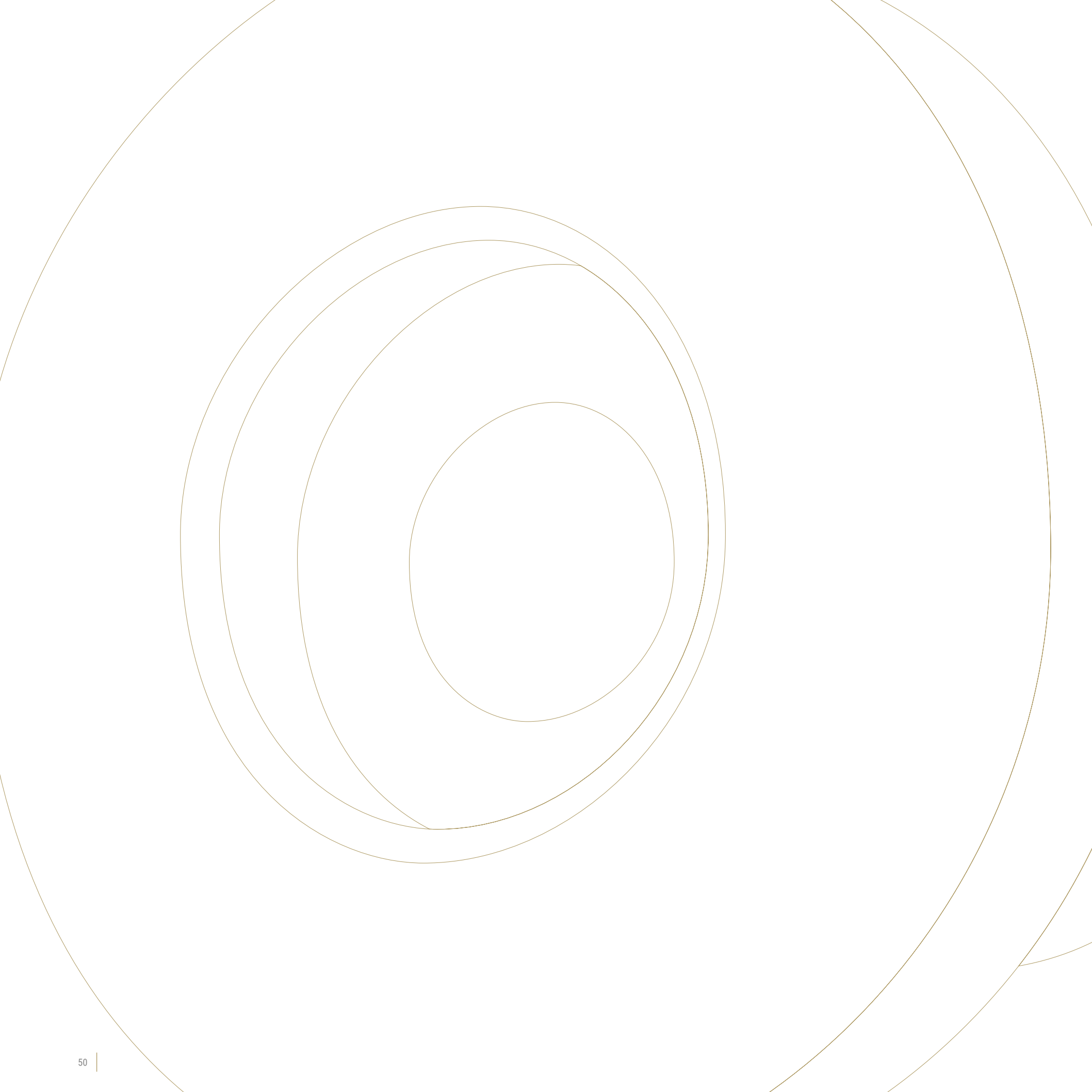
Wide Beam

100°



STAND ALONE RGB SYSTEM

for select your system
choose on page: 67





THRU - HULL VERSION

DATA SHEET

EVO 160 LONG FLANGE	52
EVO 160 LONG FLANGE RGB+W	54
EVO 160	56
EVO 160 RGB+W	58
EVO 120	60
EVO 120 RGB+W	62

DATA SHEET

EVO Ø160 LONG FLANGE 16.000 Lumen

STAINLESS STEEL AISI 316L



The Sea Led Evolution Series is the new line of underwater lights by the Cantalupi Group. It's designed to achieve first-class lighting performance and to ensure the safety of the boat. This is a special fiberglass thru-hull product and it's up to 90 mm thick.

It can be disassembled from the inside to replace the lighting core.

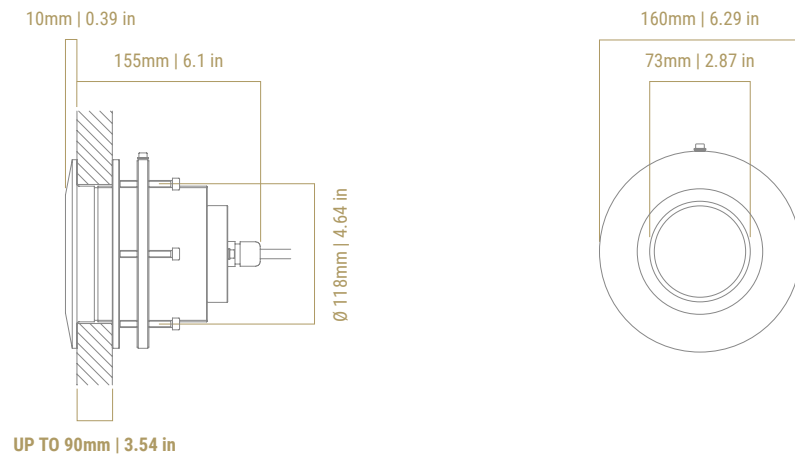
3 different light cones are available.

LIGHT TECHNICAL DATA

Power	96W
Current / Amp draw	2A @ 48Vdc
Fixture Lumens	16000 @ 70°
CCT	5700 K
Beam Angle (degrees)	wide 100° / medium 70° / narrow 35°
Power Supply	Available @ 110-220VAC or 24VDC
Dimming	DALI, DMX, MODBUS, (0-10)

FEATURES

Width dimensions	Ø 160 mm / 6.29 in
Light dimensions	165 mm / 6.5 in
Material	Steel/Aluminum/AB2 on request
Heatsink	Aluminum 6082
Glass	Protective Tempered Clear Glass
Protection	Yes
Water Ingress Protection Rating	IP68
Light Cable Length	3mt / 9' 8" (Standard)



STAINLESS STEEL AISI 316L

Narrow Beam: 90 SEALE WHITE 160 FL INC SS NB

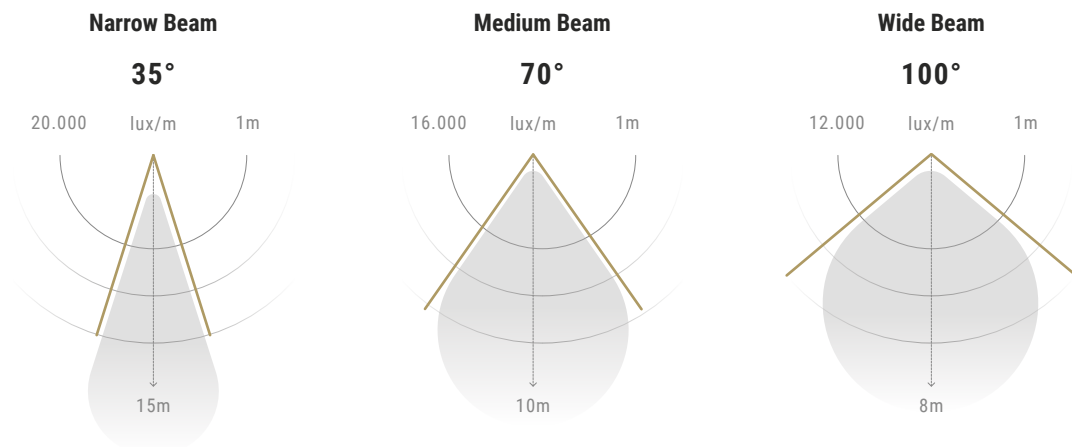
Medium Beam: 90 SEALE WHITE 160 FL INC SS MB

Wide Beam: 90 SEALE WHITE 160 FL INC SS WB

DRIVER

for select your driver
choose on page: 66

DIFFERENT BEAM SELECTION



DATA SHEET

EVO Ø160 **LONG FLANGE** **RGB+W**

STAINLESS STEEL AISI 316L
ALUMINIUM 6082
AB2 ON REQUEST

Evo 160 INC is the underwater light for thru-hull applications, with a section measuring up to 90 mm.

The light contains a Power Led RGB+W, and it can be managed with automation or audiovisual systems on board, or with our stand-alone system.

The Sea Led Evolution Series is the upgrade of the line of underwater lights by the Cantalupi Group. It's designed to achieve first-class lighting performance and to ensure the safety of the boat.

It can be disassembled from the inside to replace the lighting core.

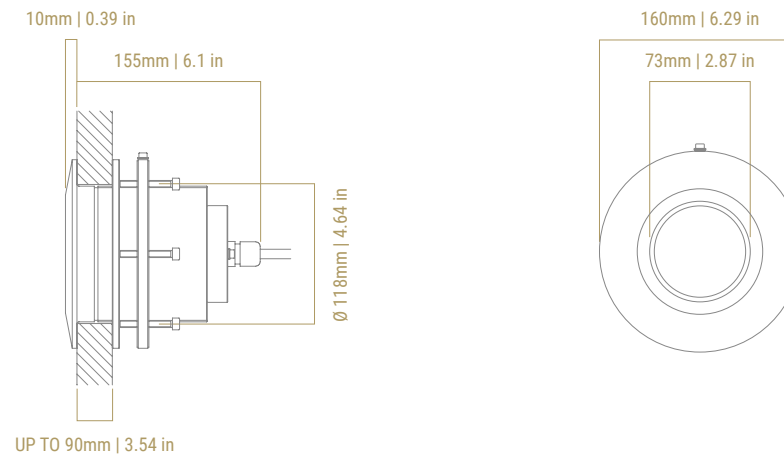


LIGHT TECHNICAL DATA

Power	141 W
Current / Amp draw	1.05A @ 26 Vfr / 36 Vfgrw
CCT	RGB+W
Beam Angle (degrees)	wide 100°
Power Supply	Available @ 110-220VAC or 24VDC
Dimming	DALI, DMX

FEATURES

Width dimensions	Ø 160 mm / 6.29 in
Light dimensions	165 mm / 6.5 in
Material	Steel/Aluminum/AB2 on request
Heatsink	Aluminum 6082
Glass	Protective Tempered Clear Glass
Protection	Yes
Water Ingress Protection Rating	IP68
Light Cable Length	3mt / 9' 8" (Standard)



STAINLESS STEEL AISI 316L

Wide Beam: 90 SEALE RGBW 160 FL INC SS 100

ALUMINIUM 6082

Wide Beam: 90 SEALE RGBW 160 INC AL 100

Aluminium version is supplied with flange up to 30mm

DRIVER

Interfaceable with the most common domotic systems for select your driver choose on page: 66-67

BEAM

Wide Beam

100°



STAND ALONE RGB SYSTEM

for select your system
choose on page: 67

DATA SHEET

EVO Ø160 **16.000 Lumen**

STAINLESS STEEL AISI 316L
ALUMINIUM 6082
AB2 ON REQUEST

The Sea Led Evolution Series is the new line of underwater lights by the Cantalupi Group. It's designed to achieve first-class lighting performance and to ensure the safety of the boat. This is a special fiberglass thru-hull product and it's up to 30 mm thick.

It can be disassembled from the inside to replace the lighting core.

3 different light cones are available.

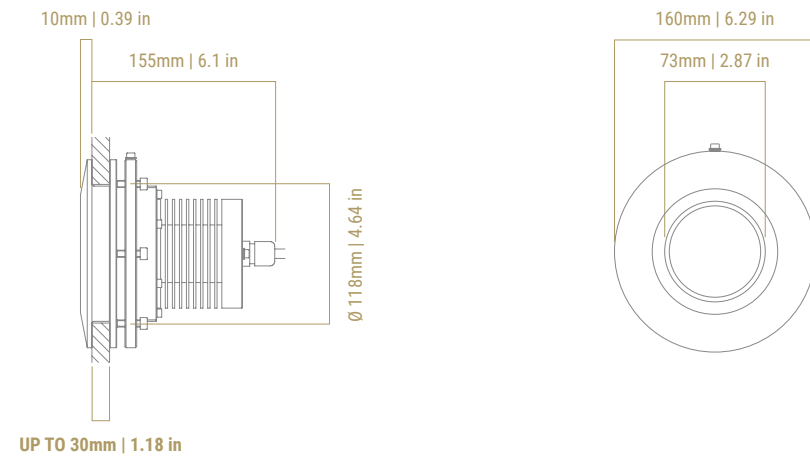


LIGHT TECHNICAL DATA

Power	96W
Current / Amp draw	2A @ 48Vdc
Fixture Lumens	16000 @ 70°
CCT	5700 K
Beam Angle (degrees)	wide 100° / medium 70° / narrow 35°
Power Supply	Available @ 110-220VAC or 24VDC
Dimming	DALI, DMX, MODBUS, (0-10)

FEATURES

Width dimensions	Ø 160 mm / 6.29 in
Light dimensions	165 mm / 6.5 in
Material	Steel/Aluminum/AB2 on request
Heatsink	Aluminum 6082
Glass	Protective Tempered Clear Glass
Protection	Yes
Water Ingress Protection Rating	IP68
Light Cable Length	3mt / 9' 8" (Standard)



STAINLESS STEEL AISI 316L

Narrow Beam: 90 SEALE WHITE 160 INC SS NB
Medium Beam: 90 SEALE WHITE 160 INC SS MB
Wide Beam: 90 SEALE WHITE 160 INC SS WB

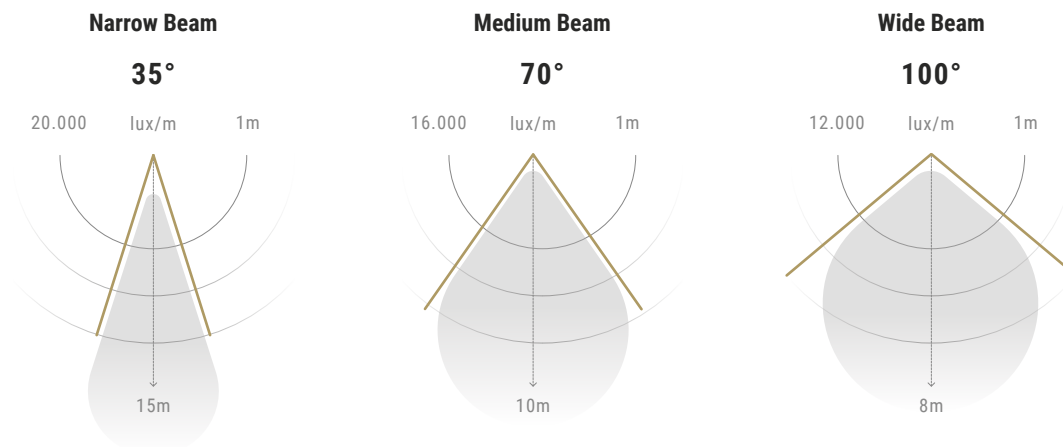
ALUMINIUM 6082

Narrow Beam: 90 SEALE WHITE 160 INC AL NB
Medium Beam: 90 SEALE WHITE 160 INC AL MB
Wide Beam: 90 SEALE WHITE 160 INC AL WB

DRIVER

for select your driver
 choose on page: 66

DIFFERENT BEAM SELECTION



DATA SHEET

EVO Ø160

RGB+W

STAINLESS STEEL AISI 316L
ALUMINIUM 6082
AB2 ON REQUEST



Evo 160 INC is the underwater light for thru-hull applications, with a section measuring up to 30 mm.

The light contains a Power Led RGB+W, and it can be managed with automation or audiovisual systems on board, or with our stand-alone system.

The Sea Led Evolution Series is the upgrade of the line of underwater lights by the Cantalupi Group. It's designed to achieve first-class lighting performance and to ensure the safety of the boat.

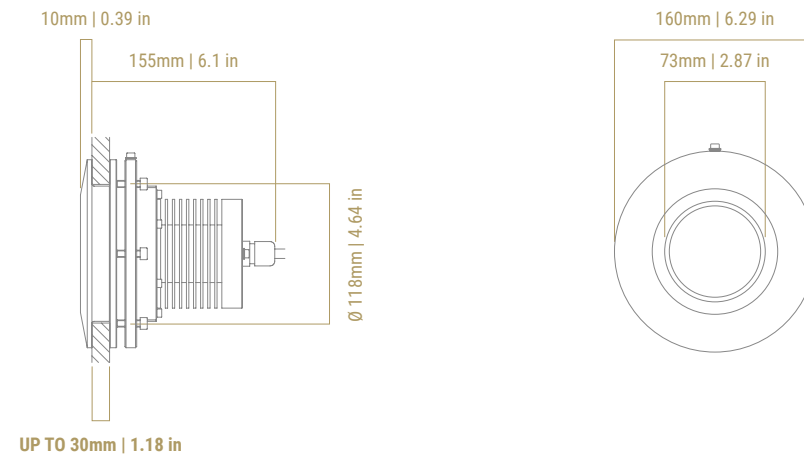
It can be disassembled from the inside to replace the lighting core.

LIGHT TECHNICAL DATA

Power	141 W
Current / Amp draw	1.05A @ 26 Vfr / 36 Vfgrw
CCT	RGB+W
Beam Angle (degrees)	wide 100°
Power Supply	Available @ 110-220VAC or 24VDC
Dimming	DALI, DMX

FEATURES

Width dimensions	Ø 160 mm / 6.29 in
Light dimensions	165 mm / 6.5 in
Material	Steel/Aluminum/AB2 on request
Heatsink	Aluminum 6082
Glass	Protective Tempered Clear Glass
Protection	Yes
Water Ingress Protection Rating	IP68
Light Cable Length	3mt / 9' 8" (Standard)



STAINLESS STEEL AISI 316L

Wide Beam: 90 SEALE RGBW 160 INC SS 100

ALUMINIUM 6082

Wide Beam: 90 SEALE RGBW 160 INC AL 100

Aluminium version is supplied with flange up to 30mm

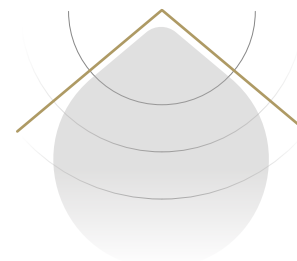
DRIVER

Interfaceable with the most common domotic systems for select your driver choose on page: 66-67

BEAM

Wide Beam

100°



STAND ALONE RGB SYSTEM

for select your system
choose on page: 67

DATA SHEET

EVO Ø120 **5.500 lumen**

STAINLESS STEEL AISI 316L
ALUMINIUM 6082
AB2 ON REQUEST

Evo 120 INC is the underwater light for thru-hull applications, with a section measuring up to 90 mm.

The light contains a state-of-the-art 6000 Lumen Power Led, with the possibility to choose from 2 different light beams.

The Sea Led Evolution Series is the upgrade of the line of underwater lights by the Cantalupi Group. It's designed to achieve first-class lighting performance and to ensure the safety of the boat.

It can be disassembled from the inside to replace the lighting core.

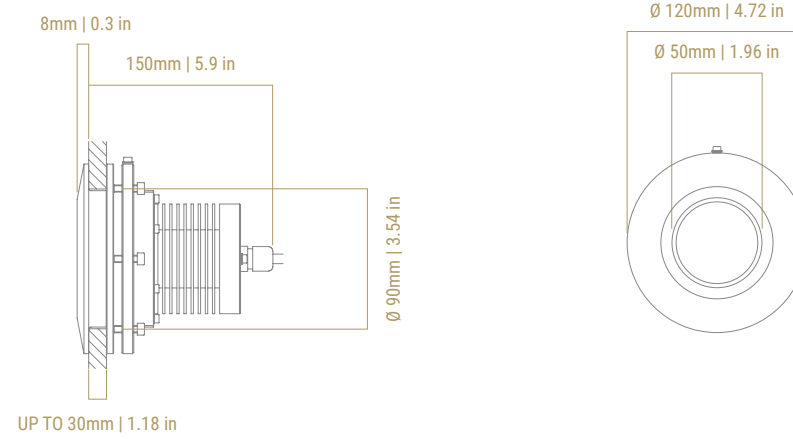


LIGHT TECHNICAL DATA

Power	50W
Current / Amp draw	1.4 A @ 35 Vdc
Fixture Lumens	5500 @ 45°
CCT	5700 K
Beam Angle (degrees)	medium 60° / narrow 45°
Power Supply	Available @ 110-220VAC or 24VDC
Dimming	DALI, DMX, MODBUS, (0-10)

FEATURES

Width dimensions	Ø 120 mm / 4.72 in
Light dimensions	158 mm / 6.22 in
Material	Steel/Aluminum/AB2 on request
Heatsink	Aluminum 6082
Glass	Protective Tempered Clear Glass
Protection	Yes
Water Ingress Protection Rating	IP68
Light Cable Length	3mt / 9' 8" (Standard)



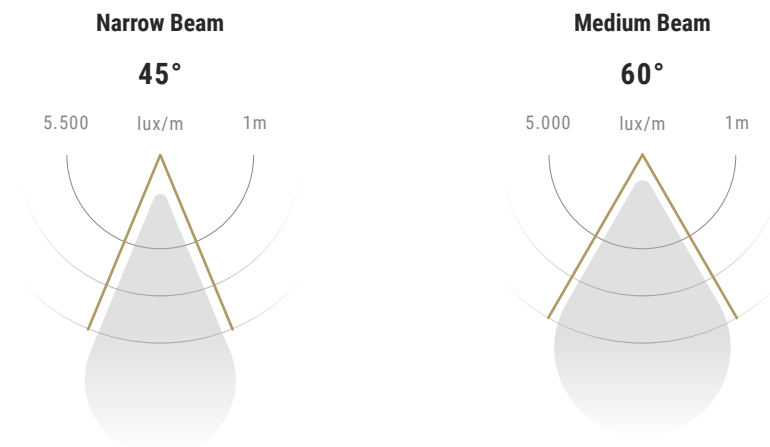
STAINLESS STEEL AISI 316L

Narrow Beam: 90 SEALE WHITE 120 INC SS NB
Medium Beam: 90 SEALE WHITE 120 INC SS MB

DRIVER

for select your driver
choose on page: 66

DIFFERENT BEAM SELECTION



DATA SHEET

EVO Ø120 RGB+W

STAINLESS STEEL AISI 316L
ALUMINIUM 6082
AB2 ON REQUEST

Evo 120 INC RGB is the underwater light for thru-hull applications, with a section measuring up to 90 mm. The light contains a Power Led RGB+W, and it can be managed with automation or audiovisual systems on board, or with our stand-alone system.

The Sea Led Evolution Series is the upgrade of the line of underwater lights by the Cantalupi Group. It's designed to achieve first-class lighting performance and to ensure the safety of the boat.

It can be disassembled from the inside to replace the lighting core.

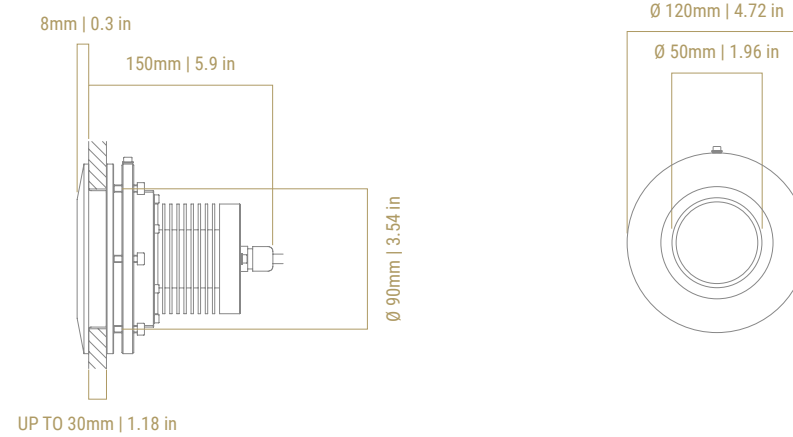


LIGHT TECHNICAL DATA

Power	55W
Current / Amp draw	0.5 A @ 26 Vfr / 21 Vfg / 30 Vfhw
CCT	RGB+W
Beam Angle (degrees)	medium 60°
Power Supply	Available @ 110-220VAC or 24VDC
Dimming	DALI, DMX

FEATURES

Width dimensions	Ø 120 mm / 4.72 in
Light dimensions	158 mm / 6.22 in
Material	Steel/Aluminum/AB2 on request
Heatsink	Aluminum 6082
Glass	Protective Tempered Clear Glass
Protection	Yes
Water Ingress Protection Rating	IP68
Light Cable Length	3mt / 9' 8" (Standard)



STAINLESS STEEL AISI 316L

Wide Beam: 90 SEALE RGBW 120 INC SS 60

ALUMINIUM 6082

Wide Beam: 90 SEALE RGBW 120 INC AL 60

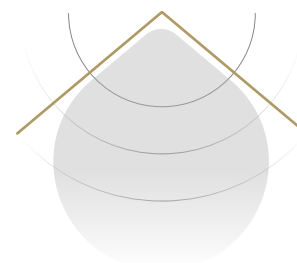
DRIVER

Interfaceable with the most common domotic systems for select your driver choose on page: 66-67

BEAM

Wide Beam

100°



STAND ALONE RGB SYSTEM

for select your system
choose on page: 67



DRIVER AND CONTROL SYSTEM

DATA SHEET

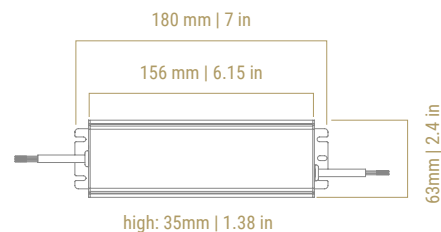
DRIVER ON/OFF

DRIVE CODE FOR EVO 160 (110/220VAC-48VDC)

75 ALIME220 48 150IP65EVO

DRIVER CODE FOR EVO 120 (110/220VAC-48VDC)

75 ALIME220 48 150IP67EVO



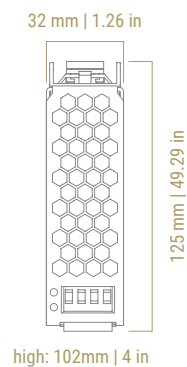
DC Voltage: 48V
Max Current: 2.5A
Voltage Range: 100-240VAC
 EMC Emmision Comply
IP Grade: IP65
Material Case: Metal class 1
Surge Protection: Yes

DRIVER CODE FOR EVO 160 (24VDC-48VDC)

75 ALIM24 48 EVO160

DRIVER CODE FOR EVO 120 (24VDC-48VDC)

75 ALIM24 48 EVO120



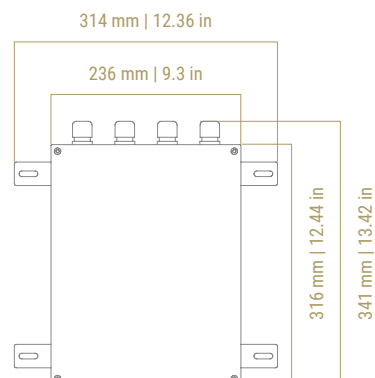
DC Voltage: 48V
Max Current: 2.0A
Voltage Range: 24VDC
 EMC Emmision Comply
IP Grade: IP20
Material Case: Metal class 1

DRIVER FOR RGB+W

DRIVER BOX CODE (110/220VAC-48VDC)

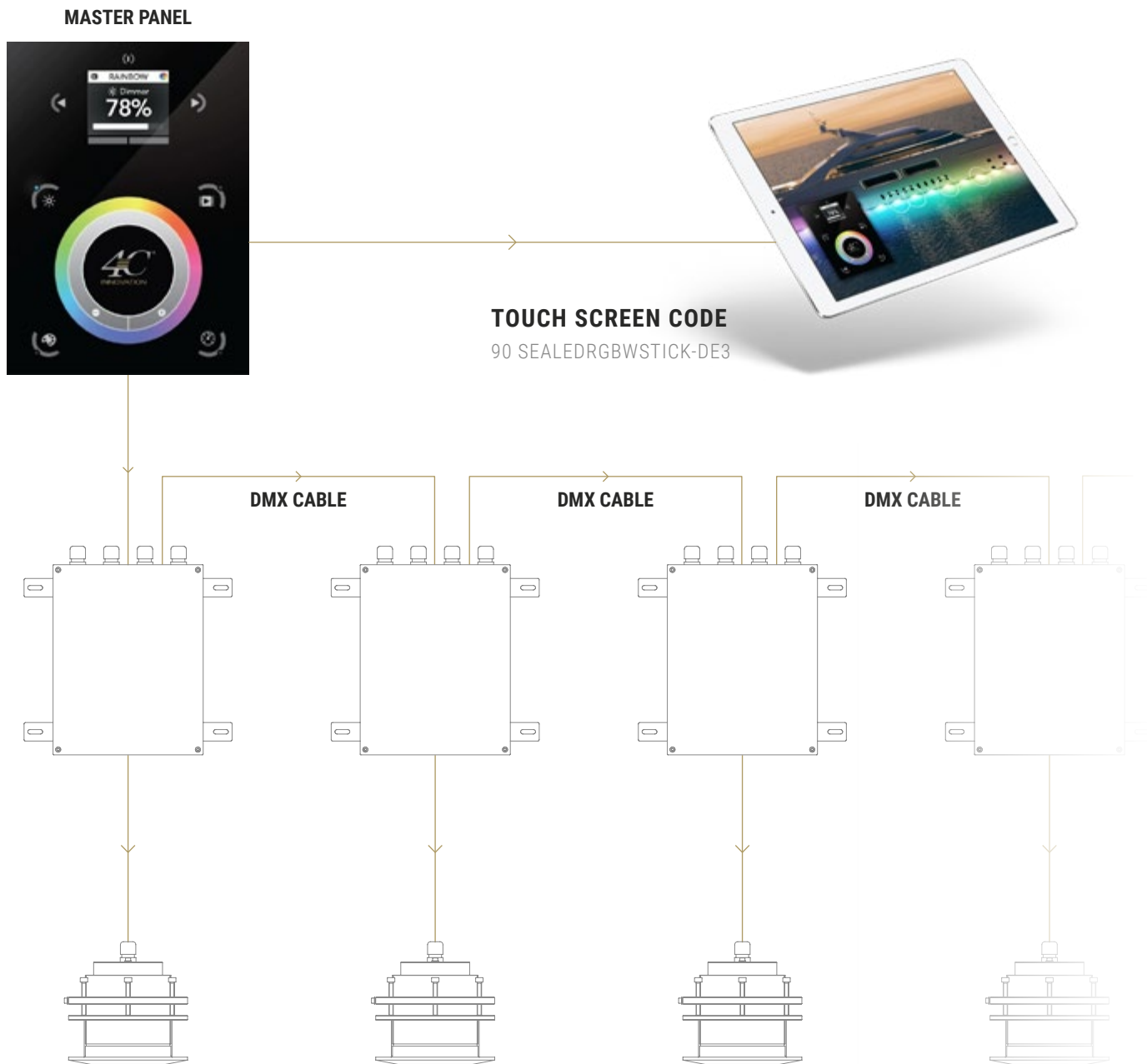
DMX: 90 KITALRGBWDMX15048160

DALI: 90 KITALRGBWDAL15048160



DC Voltage: 48V
Max Current: 2.8A
Voltage Range: 100-240VAC
 EMC Emmision Comply
IP Grade: IP56
Material Case: ABS
Surge Protection: Yes

RGB+WHITE 4C INNOVATION STAND ALONE SYSTEM

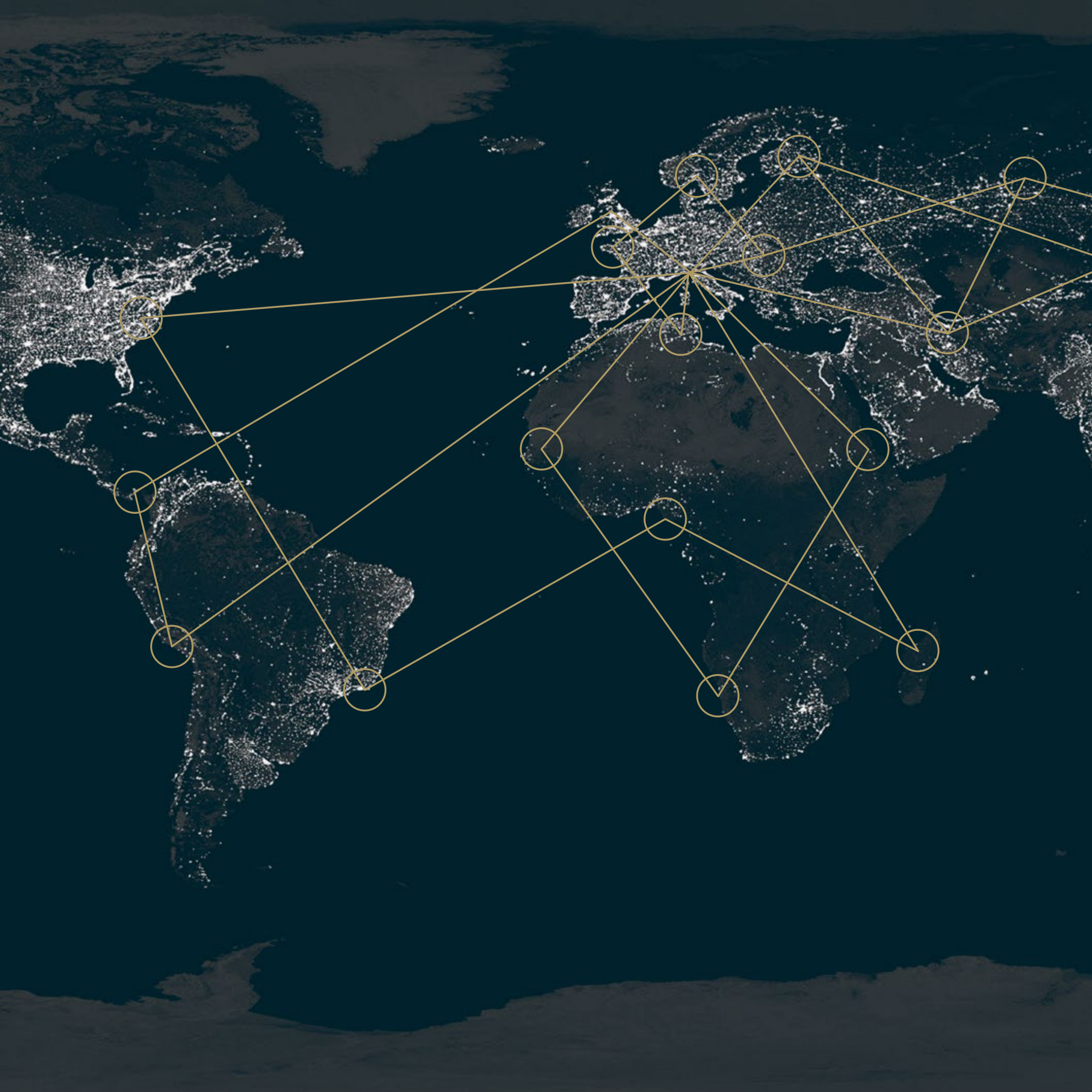


CUSTOMER SERVICE

The company provides customer **support during project planning and installation.**

We have a **helpline to find and solve problems** in case of malfunction.

Worldwide customer support on board with qualified staff.







INNOVATION IS OUR RESPONSABILITY.
With this purpose 4C Innovation was founded.
On the one side the tradition, on the other side innovation into
the future.

Thanks to the synergy with of the Cantalupi Group Companies,
we can combine in our products 70 years of experience in
naval electrical automation systems and 25 years of R&D in
LED light technology, making innovation a key part of mission.



OUR PARTNERS

4C INNOVATION THANKS ITS PARTNERS

AK YACHT	HUISMAN ETECH EXPERTS
ALEWIJNSE	IBC SHIPYARD
ALYA YACHTS	LOGICA YACHTS
AMICO & CO	MEGII YAY
ARCADIA	OCEANCO
ASTINAVE	OPTIMA DESIGN
AZIMUT - BENETTI	PALUMBO
BAGLIETTO	PERINI
CANTIERE DELLE MARCHE	PICCHIOTTI
CCN	RIVA
CRN	ROSSINAVI
DAMEN	S.I.M.A.N.
DE KEIZER MERINE ENG.	SANLORENZO
DYNAMIQ	SEVEN STAR
EEKELES	SIRENA MARINE
FEADSHIP	SOUTHER WIND
FINCANTIERI	TANKOA
FIPA - MAIORA	TIJSSSEN ELEKTRO
GB YACHT	TURQUOISE
GOLDEN A/S	VENTURE YACHT
HAKVOORT SHIPYARD	VIAREGGIO SUPERYACHT
HEESEN	WESTPORT
HORIZON	YILDIZ

Other shipyards and designers on ongoing projects
will be added.

Cantalupi[®]
GROUP

Cantalupi[®]
ELECTRIC SYSTEMS

1951



ELECTRIC SYSTEMS

DESIGN AND PRODUCTION
ELECTRICAL PANELS AND CONTROL UNITS
AUTOMATION SYSTEMS
ELECTRIC SYSTEMS
CONSULTING

Cantalupi[®]
LIGHT ENGINEERING

2001



TECHNICAL LIGHT
DESIGN AND PRODUCTION
LIGHTING DESIGN
CUSTOM DESIGN
COURTESY LIGHTS
READING LIGHTS
LINEAR LIGHTS
DOWN LIGHTS
WALL LIGHTS

COLLECTIONS
LIMITED EDITION
TABLE LAMPS
WALL LIGHTS
OTTO COLLECTION

BESPOKE DEPT.
BACK LIGHTING
TABLE LAMPS CHANDELIER
WALL LIGHTS

4C[®]
INNOVATION

2015

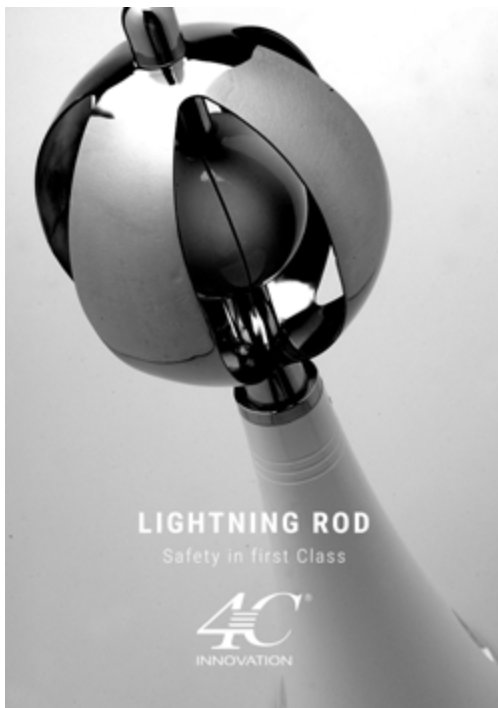


TECH. MARINE PRODUCTS
DESIGN AND PRODUCTION
NAVIGATION LIGHTS
CABLE REEL FOR SHORE CABLE
SEA LED - UNDERWATER LIGHTS
LED NAME PLATE
LIGHTNING PROTECTION SYSTEM
INTERCOM

COLLECTION



4C Innovation designs and produces LED-backlit yacht names in Italy. Different techniques and services are available to achieve our customers' desires. Discover all of our services and products.



The lightning protection system by Cantalupi was designed to protect the boat from lightning, and to blend in with the design of the yachts by using materials that are suitable for the nautical world.



Navigation Led lights is our line of innovative navigation lights. It has indeed a unique system that is unmatched on the market and that has ensured safety and great durability of the product for over 5 years.



Sea Cable reel is a machine that unwinds and winds up the cable from the floor socket. Thanks to this system you will be able to store the cable in a safe, simple and tidy way, so that you don't have cables lying around on board. It also ensures a longer life of the cable.



An aerial photograph of a shipyard, showing various industrial structures, cranes, and ship hulls under construction. The image is rotated 90 degrees counter-clockwise. The text is overlaid on the right side of the image.

**OPERATING
INTERNATIONALLY AS A
PROFESSIONAL REFERENCE
FOR SHIPYARDS**



Via Di Montramito, 1722
55054 Massarosa (LU) Italy

p.iva 02400360463
info@4cinnovation.it

www.4cinnovation.it

Le ali alle tue idee



www.4cinnovation.it

COMPANY OF
Cantalupi[®]
GROUP